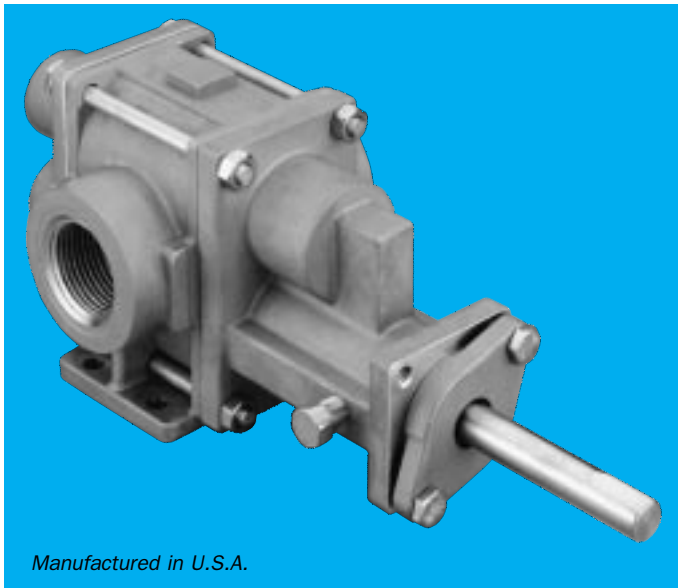


G8 Gearchem® Pump

Stocked in 316 SS, Alloy C, and Alloy 20.



This self-priming, external spur gear pump has 1-inch ports and will deliver flows up to 22gpm. Maximum rated differential pressure for the pump is 100 psi. Designed for simplified maintenance, the pump may be quickly disassembled without the need to break piping connections. The G8 is designed for continuous duty industrial applications with clear, non-abrasive fluids.

Pump housings are investment cast in a variety of corrosion resistant metallurgies, with adequate wall thicknesses for hydro testing. Housings are finish machined on precision CNC equipment.

Metallic and non-metallic gears are machine generated. A variety of materials are available, and an existing pump can be quickly converted to satisfy different service conditions. Combination metallic and non-metallic gear sets allow the pump to handle low viscosity and non-lubricating fluids at standard motor speeds. This capability provides reduced noise levels and eliminates the need for larger pumps operating at reduced speeds. All gear materials are non-sparking for use with hazardous fluids.

Pumps do not require periodic lubrication, since the pumped fluid provides the necessary lubrication and cooling. In addition to reducing maintenance, this feature eliminates the possibility of contamination of the pumped fluid.

Mechanical seals are available for the most demanding applications including single internal, single external and double seals. Two stuffing box designs are also offered.

Because they are expressly designed for chemical service, ECO gear pumps do not include integral/built-in by-pass or pressure relief valves. Designs with these internal valves can cause heat build-up in the pumped fluid, resulting in accelerated corrosion rates, possible vapor binding or even pump seizure. Instead, ECO recommends the use of externally mounted pressure relief valves, piped back to the fluid source. ECO can supply such relief valves, in various metallurgies, for many process requirements.

Optional features include bearing flush plugs and housing vent port. Available accessories include bolt-on heating/cooling jackets, pressure relief valves and backpressure valves.

Pump components, in all offered materials, are stocked to provide quick delivery. A variety of constant or variable speed motors, with electric or air power, are also stocked for quick delivery of completely mounted and assembled pump packages. Pumps and replacement parts are stocked worldwide.

GENERAL SPECIFICATIONS

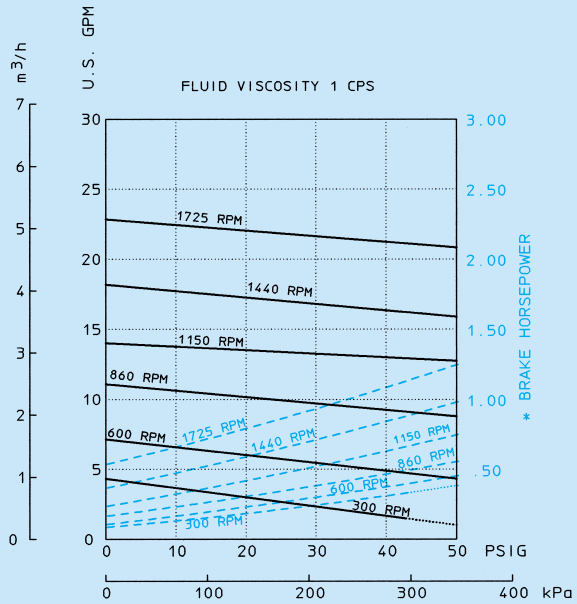
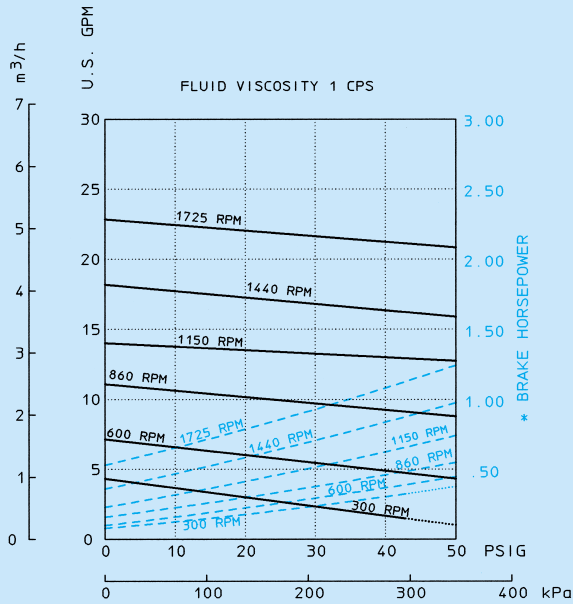
Port size and type	1-inch NPT or BSPT
Port location	Side inlet and outlet
Direction of rotation	Bidirectional
Theoretical displacement	1.368 gal/100 rev (51.79cc/rev)
Drive shaft diameter	1/2-inch
Maximum differential press	100 psi (700 kPa)
Minimum system pressure	.1mm Hg (abs)
Maximum speed	1725 rpm
Capacity at 1725 rpm, 0 psi	22 gpm (5.0m ³ /hr)
Maximum viscosity	100,000 cP
Minimum viscosity	None
Maximum fluid temp	450°F (232°C)
Minimum fluid temp	-100°F (-73°C)
Fluid pH range	0-14
Bearing type	Internal sleeve
Bearing lubrication	By pumped fluid
Packing arrangements	Standard or lantern ring box
Mechanical seals	Single internal, single external or double seal designs
Approximate weight	10 lbs. (4.5 kg) pump only
•At reduce speeds. (Higher viscosities possible with further speed reduction.	

PULSAFEEDER
A Unit of IDEX Corporation

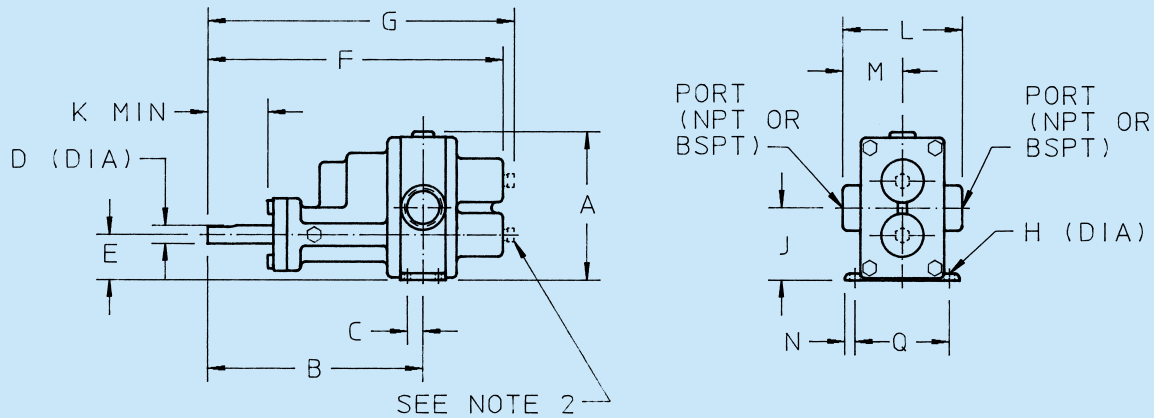
IDEX
IDEX CORPORATION

G8 Gearchem[®] Pump

TYPICAL PERFORMANCE



DIMENSIONS — UNMOUNTED PUMP



- NOTES: 1. SUCTION AND DISCHARGE PORTS ARE DEPENDENT UPON ROTATION.
 2. BEARING FLUSH PLUGS (.12 N.P.T.) ARE OPTIONAL.
 3. ALL DIMENSIONS ARE IN INCHES.

MODEL	PORTS	DIMENSIONS													
		INCHES							MM						
GA8	1.00	A	B	C	D	E	F	G	H	J	K MIN	L	M	N	O
		4.19	7.48	.62	50	1.38	10.32	10.63	.28	2.12	1.81	4.00	2.00	.28	2.62
		106.4	190.0	15.9	12.7	34.9	262.1	270.0	7.1	53.8	46.0	101.6	50.8	7.1	66.7



2883 Brighton-Henrietta TL Road
 P.O. Box 22909
 Rochester, NY 14623
 (716) 292-8000/FAX (716) 424-5619
<http://www.pulsa.com>
 e-mail: pulsa@pulsa.com



CP-5/98

Printed in U.S.A.

Bulletin G8-98

